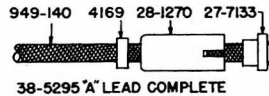
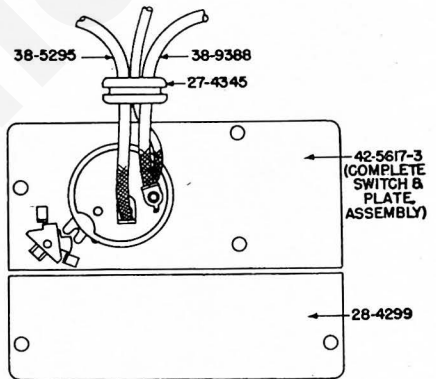
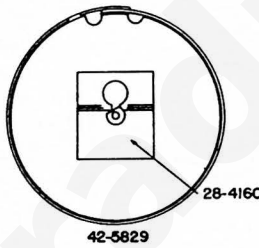
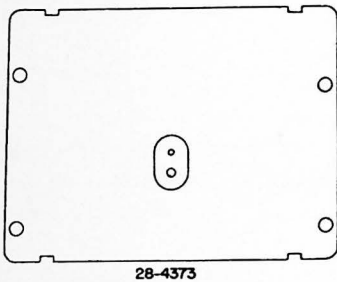
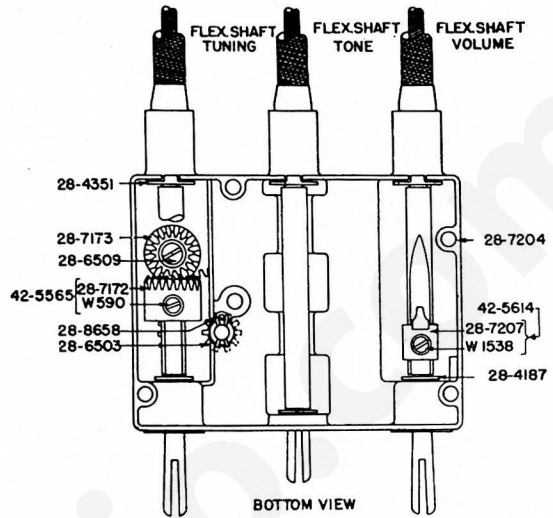
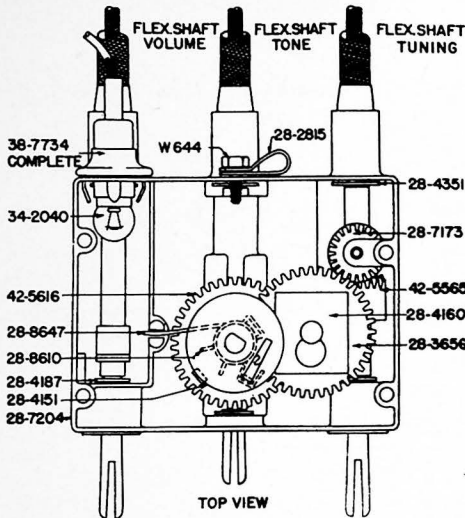


GRAHAM CONTROL---MODEL G-1528



PARTS LIST AND PRICES (Prices Subject to Change Without Notice)

Part No.	Description	List Price
W-590	Screw	per 100 \$2.00
W-644	Screw	per 100 1.50
W-1516	Screw	per 100 1.30
W-1338	Screw	per 100 1.80
4109	Washer	per 100 1.20
27-4345	Grommet	.02
27-4705	Tuning & Volume Knob	.20
27-7132	Washer	per 100 .40
27-7133	Terminal	.01
28-1270	Housing	.01
28-1272	Housing	per 100 .85
28-2815	Clamp	.01
28-3656	Gear	.02
28-4151	Friction Washer	.02

Part No.	Description	List Price
28-4160	Spring	.01
28-4184	Knob Base	.02
28-4187	Washer	.01
28-4299	Cover	.03
28-4351	Shaft Retainer	.01
28-4373	Cover	.10
28-6503	Gear	.05
28-6509	Screw	.03
28-6558	Oiland Nut	.25
28-7172	Miter Gear	.10
28-7173	Miter Idler Gear	.10
28-7204	Housing	.50
28-7207	Switch Arm	.05
28-7212	Tone Knob	.25
28-8009	Spring	per 100 .50

Part No.	Description	List Price
28-8610	Spring	.03
28-8647	Anti-back Lash Spring	.02
28-8658	Spring	.03
28-8798	Tone Shaft	1.00
28-8813	Tuning Shaft	1.00
28-8864	Volume Shaft	*
31-2040	Pilot Lamp	.09
38-5295	"A" Lead	.15
38-7734	Pilot Lamp Assembly	.35
38-9388	"A" Lead	.10
42-5565	Miter Gear Assembly	.20
42-5614	Switch Arm Assembly	.15
42-5616	Drum Shaft & Gear	.10
42-5617-3	On-Off Switch	.40
42-5820	Dial Assembly	*

* Prices not available at this time.